

PLEASE CHECK WWW.MOLEX.COM FOR LATEST PART INFORMATION

Part Number: [0474043002](#)
Status: **Active**
Description: 1.27mm (.050") Pitch Serial ATA Host Receptacle, Right Angle, Through Hole, 0.38µm (15µ") Gold (Au) Plating, 22 Circuits, with Cover, Screw Mount Type, Lead Free

Documents:

[3D Model](#)
[Drawing \(PDF\)](#)

[RoHS Certificate of Compliance \(PDF\)](#)

General

Product Family	PCB Receptacles
Series	47404
Application	Board-to-Board
Comments	Screw version
Product Name	Serial ATA

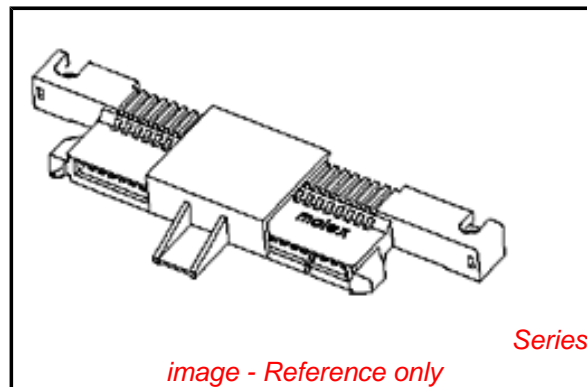
Physical

Circuits (Loaded)	22
Circuits (maximum)	22
Color - Resin	Black
Durability (mating cycles max)	500
Glow-Wire Compliant	No
Guide to Mating Part	Yes
Keying to Mating Part	Yes
Lock to Mating Part	None
Material - Metal	Copper Alloy
Material - Plating Mating	Gold
Material - Plating Termination	Tin
Material - Resin	High Temperature Thermoplastic
Number of Rows	1
Orientation	Right Angle
PCB Locator	Yes
PCB Retention	Yes
PCB Thickness Recommended (in)	0.047 In
PCB Thickness Recommended (mm)	1.20 mm
Packaging Type	Embossed Tape on Reel
Pitch - Mating Interface (in)	0.050 In
Pitch - Mating Interface (mm)	1.27 mm
Pitch - Term. Interface (in)	0.050 In
Pitch - Term. Interface (mm)	1.27 mm
Plating min: Mating (µin)	15
Plating min: Mating (µm)	0.38
Plating min: Termination (µin)	50
Plating min: Termination (µm)	1.27
Polarized to Mating Part	Yes
Polarized to PCB	Yes
Stackable	No
Temperature Range - Operating	-35°C to +85°C
Termination Interface: Style	Through Hole

Electrical

Current - Maximum per Contact	1.5A
Grounding to PCB	Yes
Voltage - Maximum	15V DC

Material Info



EU RoHS

RoHS Compliant by Exemption

REACH SVHC

Not Reviewed

Halogen-Free

Status

Not Reviewed

Need more information on product environmental compliance?

Email productcompliance@molex.com
 For a multiple part number RoHS Certificate of Compliance, [click here](#)

Please visit the [Contact Us](#) section for any non-product compliance questions.

China RoHS



Search Parts in this Series

47404Series

Reference - Drawing Numbers

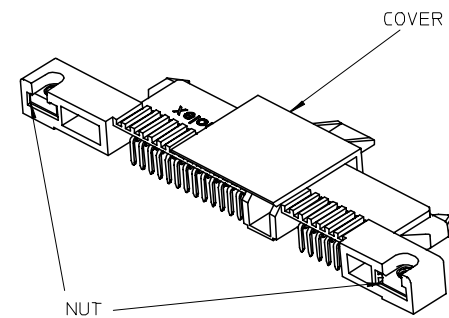
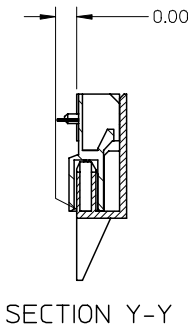
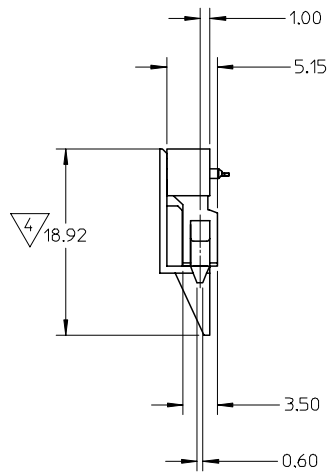
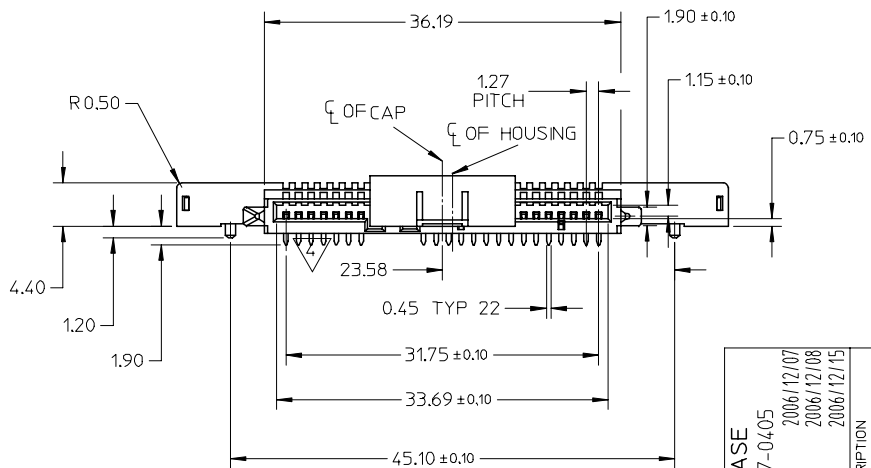
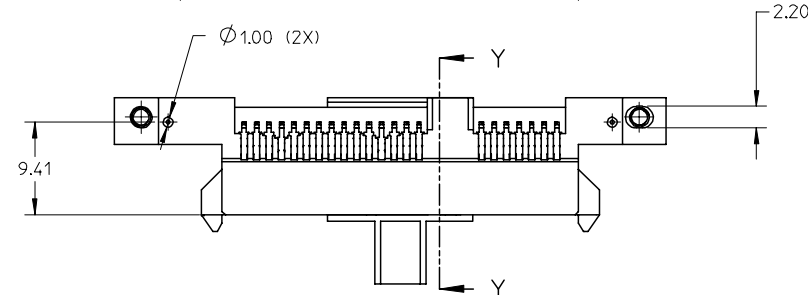
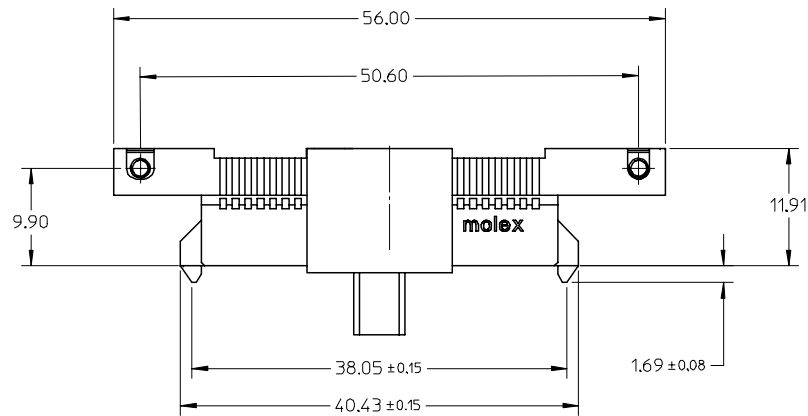
Sales Drawing

SD-47404-001

This document was generated on 04/06/2010

PLEASE CHECK WWW.MOLEX.COM FOR LATEST PART INFORMATION

10 9 8 7 6 5 4 3 2 1



- NOTES:
- MATERIAL:
HOUSING: HIGH TEMPERATURE THERMOPLASTIC, UL94V-0, COLOR: BLACK.
TERMINAL: COPPER ALLOY.
 - TERMINAL PLATING:
CONTACT AREA:
(A) GOLD FLASH.
(B) GOLD, THICKNESS=0.76 MICROMETER MINIMUM.
(C) GOLD, THICKNESS=0.38 MICROMETER MINIMUM.
SOLDER AREA: MATTE TIN, THICKNESS=1.27 MICROMETER MINIMUM.
UNDER PLATE: NICKLE, THICKNESS=1.27 MICROMETER MINIMUM.
 - PRODUCT SPECIFICATION: PREFER TO PS-67492-001.
 - PACKAGING METHOD: TAPE REEL, USE DRYER IN HDPE BAG TO PREVENT BLISTER.
 - SCREW FIXED ORDER: FIRST SCREW 1, THEN SCREW 2, OTHERWISE, HOUSING MAY BE CRACKED.
 - NUT TYPE: M2x0.4, HIGH: 1.3MM,
PLATING SPEC: 50u" MINIMUM NICKEL PLATED OVERALL.
 - PRODUCT COMPLIANT TO RoHS DIRECTIVE 2002/95/EC AND ELV 2000/53/EC.

RELEASE	EC NO: SH2007-0405	2006/12/07
	DRWN:HZHA006	2006/12/08
	CHKD:JTIAN	2006/12/15
	APPR: JCHEN	

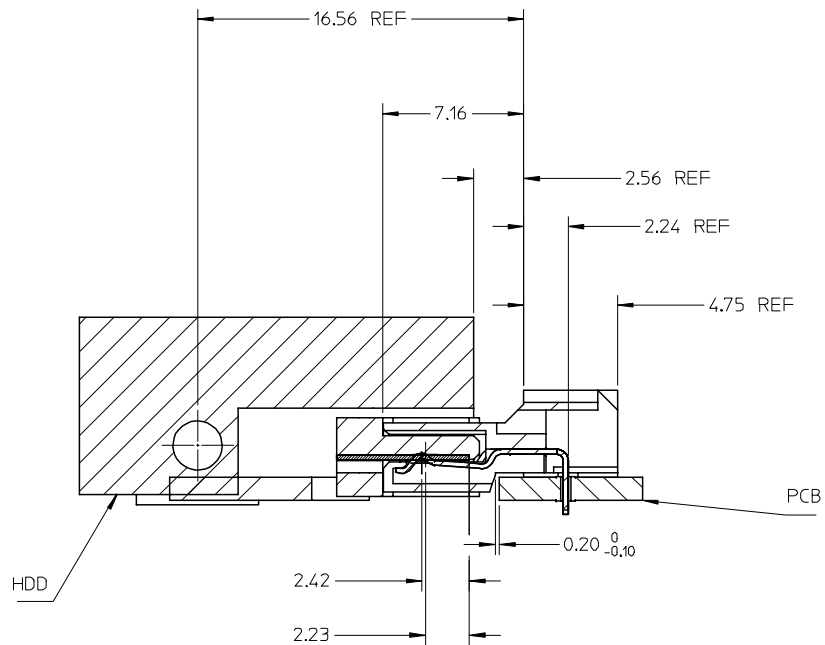
QUALITY SYMBOLS	▽=0
	△=0

GENERAL TOLERANCES (UNLESS SPECIFIED)	DIMENSION STYLE	
	MM ONLY	
	mm	INCH
4 PLACES	± ---	± ---
3 PLACES	± ---	± ---
2 PLACES	± 0.15	± ---
1 PLACE	± 0.25	± ---
ANGULAR ± 3 °		
DRAFT WHERE APPLICABLE MUST REMAIN WITHIN DIMENSIONS		

DRAWN BY	DATE	TITLE
HZHAO	2006/06/27	SATA HOST RECEPTACLE R/A THROUGH HOLE
CHECKED BY	DATE	
GRMA	2006/06/27	
APPROVED BY	DATE	
JCHEN	2006/06/27	
MATERIAL NO.	DOCUMENT NO.	SHEET NO.
SEE SHEET 2	SD-47404-001	1 OF 2

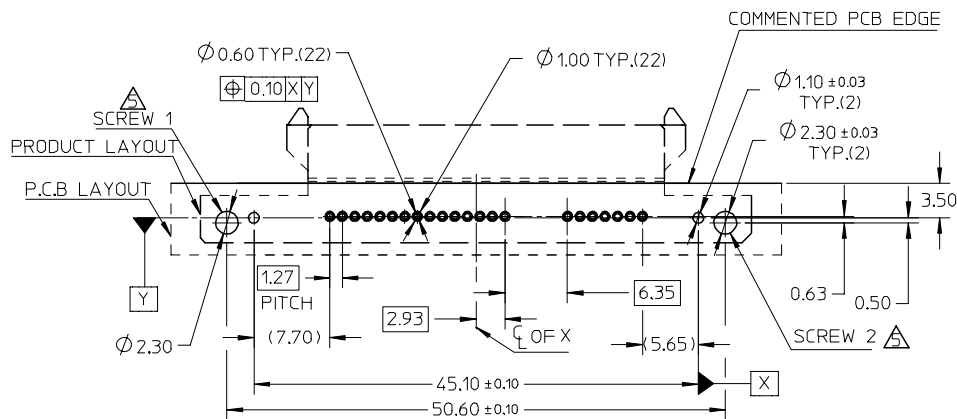
SCALE	DESIGN UNITS	THIRD ANGLE PROJECTION
2:1	METRIC	
MOLEX INCORPORATED		
THIS DRAWING CONTAINS INFORMATION THAT IS PROPRIETARY TO MOLEX INCORPORATED AND SHOULD NOT BE USED WITHOUT WRITTEN PERMISSION		

9 8 7 6 5 4 3 2 1

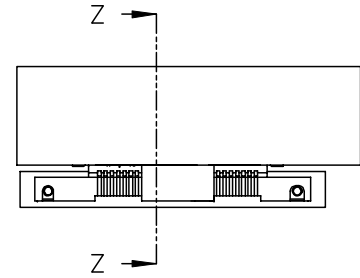


SECTION Z-Z

REFERENCE SCHEMATICS OF MATING WITH HDD.



RECOMMENDED P.C.B LAYOUT (THICKNESS=1.2MM)
CONNECTOR SIDE



P/N	PLATE
47404-3000	NOTES 2(A)
47404-3001	NOTES 2(B)
47404-3002	NOTES 2(C)

RELEASE	EC NO: SH2007-0405	2006/12/07
	DRWN:HZHA006	2006/12/08
	CHKD:JTIAN	2006/12/08
	APPR: JNCHEN	2006/12/15
REV	DESCRIPTION	
A		

QUALITY SYMBOLS	▽=0
	∇=0

	GENERAL TOLERANCES (UNLESS SPECIFIED)	
	mm	INCH
4 PLACES	± ---	± ---
3 PLACES	± ---	± ---
2 PLACES	± 0.15	± ---
1 PLACE	± 0.25	± ---
ANGULAR ± 3 °		
DRAFT WHERE APPLICABLE MUST REMAIN WITHIN DIMENSIONS		

DIMENSION STYLE	
MM ONLY	
DRAWN BY	DATE
HZHAO	2006/06/27
CHECKED BY	DATE
GRMA	2006/06/27
APPROVED BY	DATE
JCHEN	2006/06/27
MATERIAL NO.	
SIZE	SEE TABLE
A3	

SCALE	DESIGN UNITS	THIRD ANGLE PROJECTION
1:1	METRIC	☉ □
TITLE		
SATA HOST RECEPTACLE R/A THROUGH HOLE		
APPROVED BY		
JCHEN		
MATERIAL NO.		
DOCUMENT NO.		
SD-47404-001		
SHEET NO.		
2 OF 2		